

**Downlight Specification**

# G2SE55SS2(E)

— GENIE 2S series



## Basic Parameters

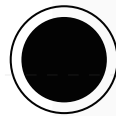
- Material: AL6063, spraying surface
- Driver Installation: Remote
- IP grade: IP20
- CCT: 2700K,3000K,3500,4000K optional
- CRI: 90
- SDCM(Light source): <3 Step (ANSI)
- Beam angle: 15°/24°/36° optional
- UGR(X=4H,Y=8H): ≤13(15°/24°), ≤16(36°)
- Lighting direction: Downward
- Dimming method: Non
- Input voltage: AC220-240V
- Working temperature: -15°C~30°C
- Application: Indoor
- Installation: Recessed
- Certification: CE,ROHS,Reach
- Warranty: 5 years



## Border Color



White



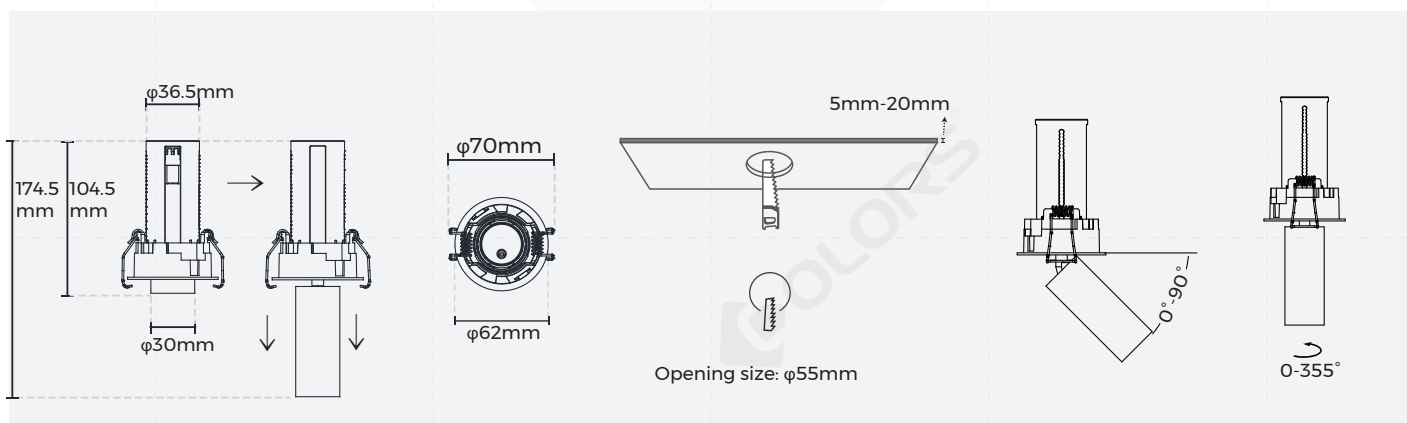
Matte black

## Optical Accessory



Honeycomb

## Product mechanical data



## ©Luminaire Parameters

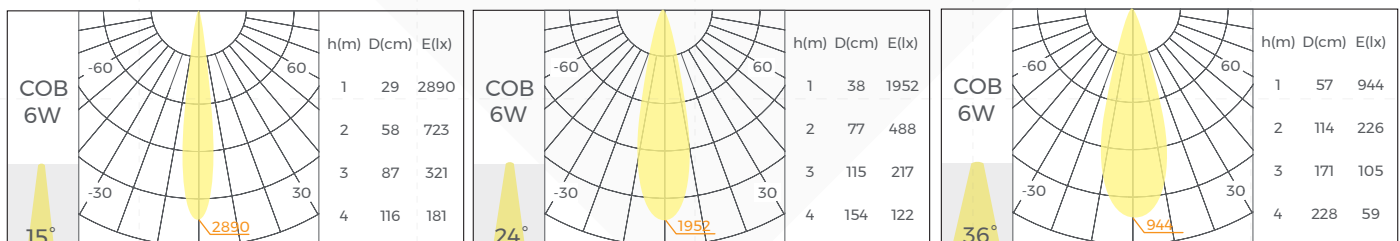
Model	Size (mm)	Opening Size (mm)	Input Voltage (V)	Input Current (A)	Type Power (W)	CRI	Beam Angle	CCT	Lumen (LM)
G2SE55SS2	φ62*174.5	φ55	DC36	0.12	6	>90	15°	2700K	285
								3000K	300
								3500K	305
								4000K	325
G2SE55SS2	φ62*174.5	φ55	DC36	0.12	6	>90	24°	2700K	300
								3000K	315
								3500K	325
								4000K	340
G2SE55SS2	φ62*174.5	φ55	DC36	0.12	6	>90	36°	2700K	315
								3000K	335
								3500K	345
								4000K	360

Note:

1. The above parameters were tested based on Ra90, 3000K, light source;
2. The input voltage and input current belong to the light source.
3. luminous flux is allowed to have a ±10% error range;
4. The above parameters are typical values.

## ©Optical Parameter

Type Power:6W



Note:

1. Central light intensity value = 1 meter maximum luminous intensity value;
  1. N meter maximum luminous intensity value = Central light intensity value/N<sup>2</sup>;
- For example: 2 meter maximum luminous intensity value = Central light intensity value/2<sup>2</sup>;

## ◎Packing

Model	Size (mm/box)	Quantity /box	Quantity /carton	NW (kg/box)	NW (kg/carton)	GW (kg)	Size (mm/carton)
DL-G2SE55SS2(E)-06903036-NWB	112*86*120	1	48	0.174	8.352	12.5	522*454*246

## ◎Model Code

DL - G2S	E	55	SS	2	(E) -	06	90	30	36 -	N	W	B	
System DL: Downlights	Series G2S: GENIE 2S	Installation E: Recessed R: Trimless Recessed	Opening Size 35: $\phi$ 35mm 45: $\phi$ 45mm 55: $\phi$ 55mm 65: $\phi$ 65mm 75: $\phi$ 75mm	Luminaire/Optical type SS: Stretch Spotlights	Structure type 1: Unadjustable angle 2: Adjustable angle	Version E: EN version	Type Power 06: 6W	CRI 90: Ra>90	CCT 27: 2700K 30: 3000K 40: 4000K	Beam angle 15: 15° 24: 24° 36: 36°	Dimming Method N: Non-Dimming X: No Power	Color W: White(Border)	Reflector Color B: Matte black

## ◎Attentions

1. Non-professionals are prohibited from installing, disassembling and repairing the product.
2. Avoid scratching, distortion and irregular bending of the product during installation; otherwise it may cause irreparable damage to the product.
3. Please use professional cutting tools when cutting
4. Do not use any acid or alkaline adhesive to fix products
5. The product is only suitable for indoor dry places, can not be used in outdoor, seaside or wet environment.